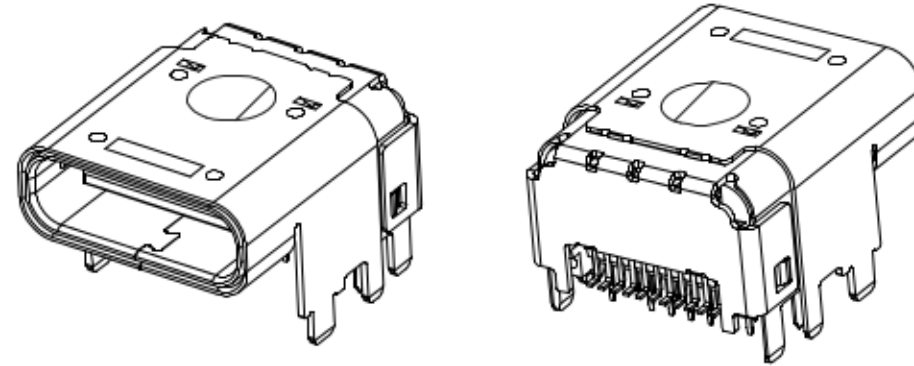
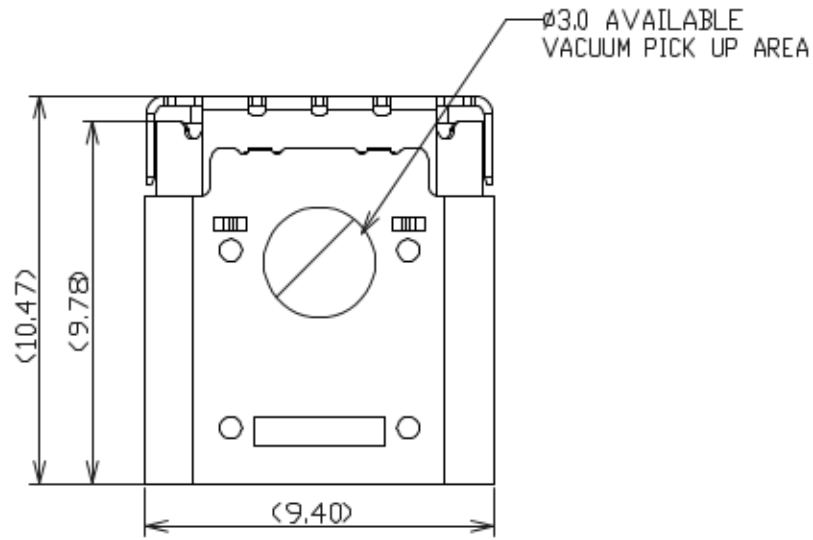


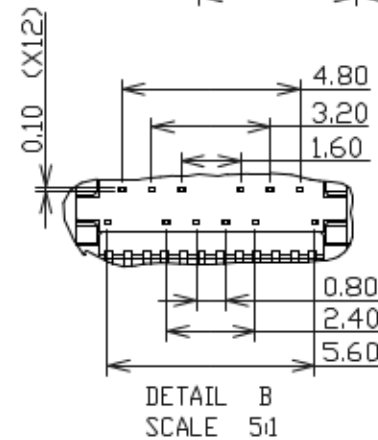
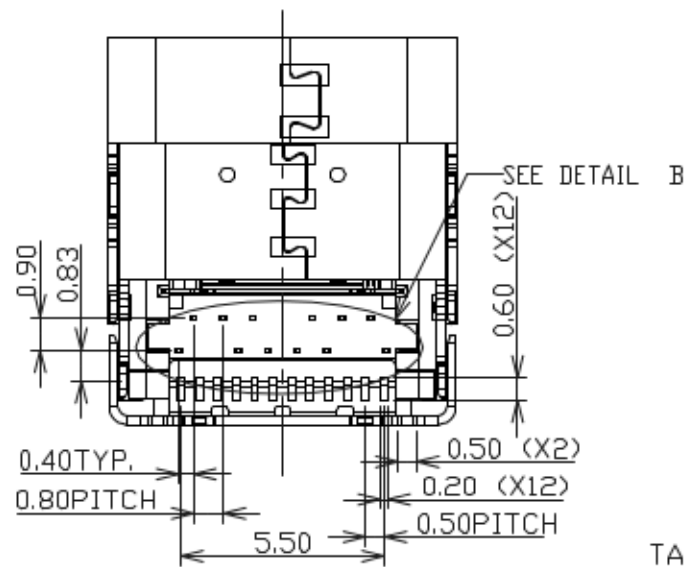
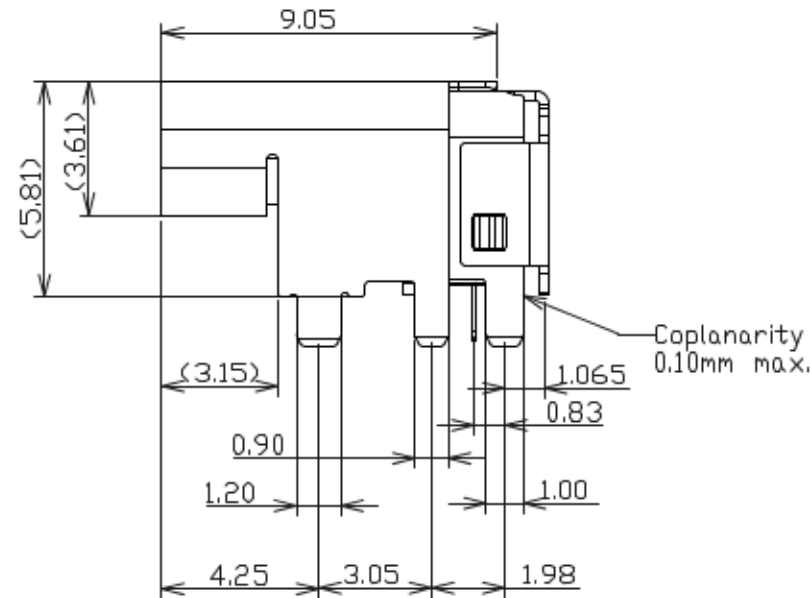
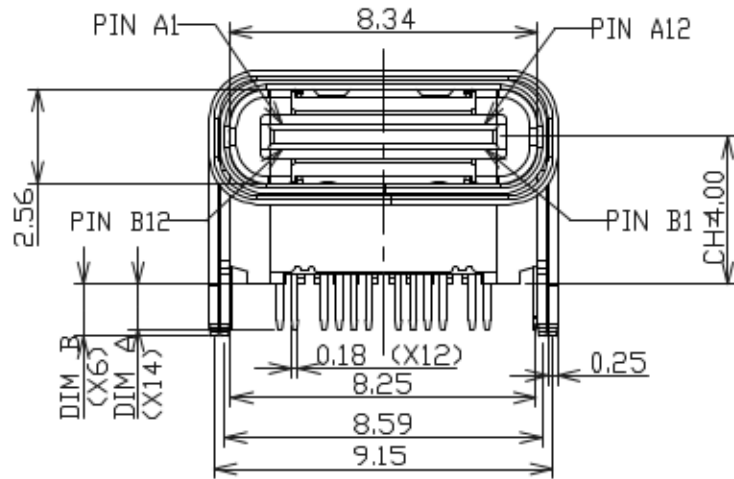
1 HALOGEN FREE

REV.	EC#	DESCRIPTION	DATE	DRAWN	CHECKED	APPROVED
X1	SZECR14457-04	NEW RELEASE	09/18/15'	Alr.Chen	Alan.Tsal	



PRODUCT NUMBERING CODE
 C-ARA1 - A K X X X
 ① ② ③ ④ ⑤ ⑥

- 1.CONNECTOR TYPE:
ARA1: USB TYPE-C FULL FEATURE CONN. RECEPTACLE - TOP MOUNT TYPE
- 2.NO. OF POSITION:
A: 24 POSITIONS.
- 3.COLOR OF INSULATOR:
K: BLACK.
- 4.PLATING OF CONTACT:
1: GOLD FLASH ON CONTACT AREA.
5: Au 30u" PLATING ON CONTACT AREA
- 5.PLATING OF FRONT SHELL
1: SOLDERING NICKEL
- 6.OTHER & PACKAGE
0: SHELL HOLD DOWN 1.4mm & CONTACT 1.2mm
1: SHELL HOLD DOWN 1.8mm & CONTACT 1.6mm
2: SHELL HOLD DOWN 1.4mm & CONTACT 1.4mm



PART NUMBER	DIM A	DIM B
C-ARA1-AK510	1.20	1.40
C-ARA1-AK511	1.60	1.80
C-ARA1-AK512	1.40	1.40

TABLE A:

PIN NO.	A1	A2	A3	A4	A5	A6	A7	A8	A9	A10	A11	A12
SIGNAL NAME	GND	SSTXp1	SSTXn1	VBUS	CC1	Dp1	Dn1	SBU1	VBUS	SSRXn2	SSRXp2	GND
PIN NO.	B12	B11	B10	B9	B8	B7	B6	B5	B4	B3	B2	B1
SIGNAL NAME	GND	SSRXp1	SSRXn1	VBUS	SBU2	Dn1	Dp1	CC2	VBUS	SSTXn2	SSTXp2	GND

ITEM	NAME	Q'TY	PART #	MATERIAL / FINISH
6	EMI RING	2	~	METAL / Ni PLATED
5	GROUND PLATE	1	~	METAL / NI PLATED
4	OUTER SHELL	1	~	METAL / NI PLATED
3	SHELL	1	~	METAL / NI PLATED
2	CONTACT	24	~	COPPER ALLOY / Au PLATED
1	HALF PRODUCT	3	~	HI-TEMP G.F., UL94V-0

TOLERANCES UNLESS OTHERWISE SPECIFIED	DRAWN	DATE	CnC Tech, LLC
GENERAL X .X ±0.25 .XX ±0.25 .XXX ±0.25	AVEN	03/23/15'	
ANGLES X° .X' ±30° .XX' ±30° .XXX' ±30°	AVEN	03/23/15'	
SCALE 7:1	CHECKED ROGER	DATE 03/23/15'	TITLE USB TYPE- C FULL FEATURE CONN. RECPTACLE TOP MOUNT TYPE
SHEET 1 OF 2	APPROVED ROGER	DATE 03/23/15'	SERIES ARA1 SERIES
UNIT mm	C-ARA1-AK512		SIZE A3 REV. X1